



Project Reference: _____

Fixture Type: _____ Cat. No: _____ Voltage: _____ Finish: _____

MINIFLOOD **vandal resistant exterior flood light**

MH, CDM, HPS

CSA/UL or equivalent



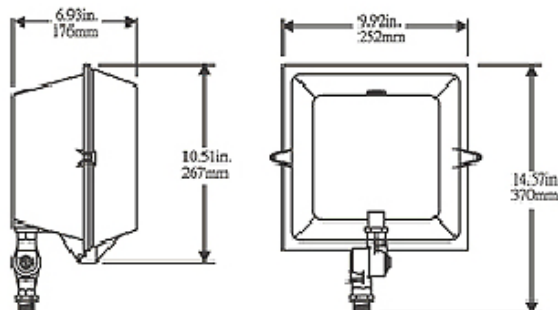
APPLICATIONS

Ideal for building, back yards, parks, signs, sports field, and other general applications where floodlighting may come into use.

SPECIFICATION FEATURES

- UL listed Suitable for Wet Locations
- Heavy Duty Die-Cast Aluminum Powder Coating Construction
- Corrosion Resistant Hardware
- Silicone Rubber included to prevent any leakage from the outside
- Highly Impact Resistant Tempered glass
- Come with anodized aluminum reflector
- UL and CUL listed for wet locations

DIMENSIONS



PROCUREMENT INFORMATION

Ordering Number	Light Source	Wattage	Voltage, 60Hz	IP
FL-213-S10	HPS	100	120	66
FL-213-S15	HPS	150	120	66
FL-213-H10	MH	100	120/277	66
FL-213-H15	MH	150	120/277	66



QUESTIONS? Please call customer service at 1-800-49-LAMPS (800-495-2677) or contact your local VALUELIGHT representative

For complete product information visit
www.valuelight.com