



Project Reference: _____

Fixture Type: _____ Cat. No: _____ Voltage: 120V 347V Notes: _____

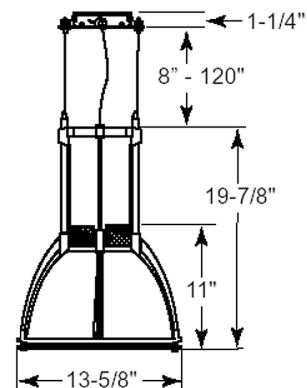
THROPOS

PLT, MH, CDM-R, CDM-T, CDM-TC



ORDERING INFORMATION

Catalog No.	Lamp Shield	Lamps
DP50030.CF26	prismatic	(1) PLT26
DP50030.CF32	prismatic	(1) PLT32
DP50030.CF42	prismatic	(1) PLT42
DP50030.MH70	prismatic	(1) CDM-T70
DP50030.MH150	prismatic	(1) CDM-T150
DP50031.CF26	cobalt blue	(1) PLT26
DP50031.CF32	cobalt blue	(1) PLT32
DP50031.CF42	cobalt blue	(1) PLT42
DP50031.MH70	cobalt blue	(1) CDM-T70
DP50031.MH150	cobalt blue	(1) CDM-T150
DP50032.CF26	sunset amber	(1) PLT26
DP50032.CF32	sunset amber	(1) PLT32
DP50032.CF42	sunset amber	(1) PLT42
DP50032.MH70	sunset amber	(1) CDM-T70
DP50032.MH150	sunset amber	(1) CDM-T150



- nickel finish powder coated hardware and metal parts
- unbreakable polycarbonate lamp shield
- heavy gauge, precise tolerance steel ballast housing
- custom powder coated finishes available
- electronic ballast Compact Fluorescent or HID
- 108V, 120V, 277V, 347V/60 Hz and 220-240V/50Hz
- 347V - remote magnetic ballast with HID
- max. six years fixture warranty. CSA/UL or equivalent

Specifications are subject to change without notice.

QUESTIONS? Please call customer service at 1-800-49-LAMPS (800-495-2677) or contact your local VALUELIGHT representative